

Model: JSMA-PMB15AAKB

No.	Item	Symbol	Unit	Specification	No.	Item	Symbol	Unit	Specification
1	Drive	-	-	3 ϕ 220 VAC	13	Rotor Inertia	J-M	kg-cm ²	9.58 \pm 10%
2	Cooling Method	-	-	Totally Enclosed	14	Rated Power Rate	Q-R	Kw/s	53.5
3	Exciting Method	-	-	Permanent Magnet	15	Resistance	Ra	Ω	0.79 \pm 10%/2 ϕ
4	Resolution	-	-	17bit ABS	16	Inductance	L	mH	4.74 \pm 10%/2 ϕ
5	Rated Output	P-R	KW	1.5	17	Mech. Time Constant	Tm	ms	1.05 \pm 10%
6	Rated Torque	T-R	N-m	7.16	18	Elect. Time Constant	Te	ms	6 \pm 10%
7	Max. Torque	T-max	N-m	21.48	19	Insulation Class	-	-	Class B
8	Rated Speed	N-R	rpm	2000	20	Operation Temp.	T	$^{\circ}$ C	0~40
9	Rated Current	I-R	A	7.3	21	Operation Humd.	RH	%	<90
10	Max. Current	I-max	A	21.9	22	Storage Temp.	T	$^{\circ}$ C	-20~60
11	Torque Constant	Kt	N-m/A	1.06 \pm 10%	23	Storage Humd.	RH	%	<90
12	Kc constant	Kc	V/Krpm	62.78 \pm 10%/2 ϕ	24	Weight	W	kgw	9.69

NO	Signal	Color
B	+5V	Red
I	0V	Black
A	VB+	Brown
C	VB-	Brown/Blk
H	SD	Blue
D	SD	Blue/Blk
G	-	-
E	-	-
F	FG	SHIELD

NO	Signal	Color
B	U	Red
G	V	White
E	W	Black
A	BRAKE 0V	thin white
F	BRAKE 24V	thin white
C	FG	Green

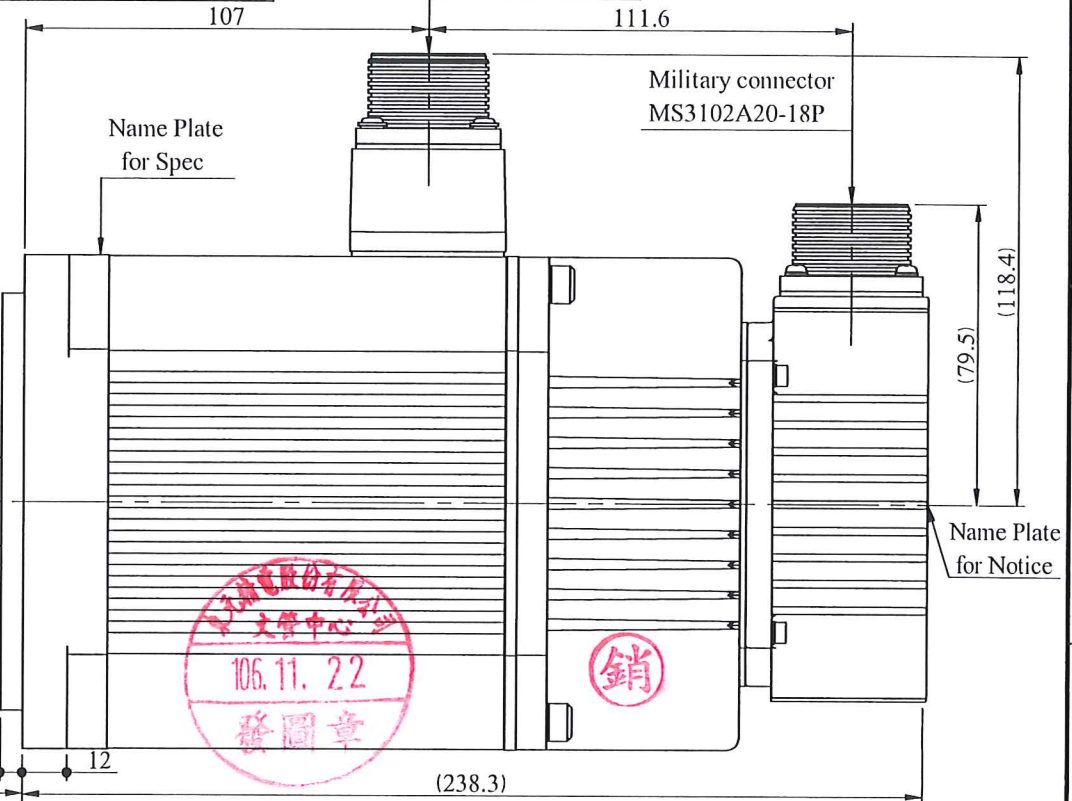
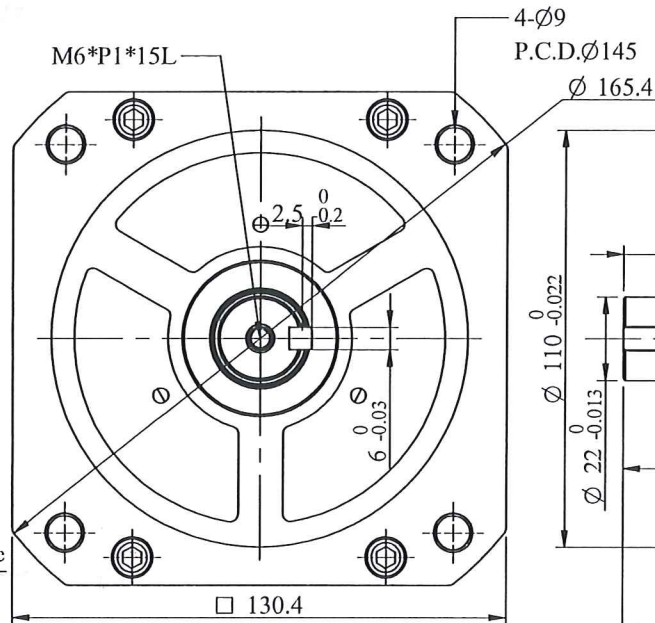
motor wiring

encoder wiring

Military connector
MS3102A20-15P

Note:

1. Motor to be IP67(excluding the connectors).
2. The detail of Name plate for Spec. refers to the file. DC-JXE-002.



STANDARD TOLERANCE		APVD	SCALE	UNIT	NAME
X	\pm 0.5	<i>[Signature]</i>	1/2	mm	Servo Motor Outline Drawing
.X	\pm 0.2	<i>[Signature]</i>	3RD .A.P		JSMA-PMB15AAKB
.XX	\pm 0.05				
ANGLE	\pm 30'				
MATERIAL	REV	DESCRIPTION	SIGNATURE	DATE	Dept. Design
			<i>[Signature]</i>	11-20-17	DWG.NO. D01B13152B3B3AD01

